

2MP Fixed Dome Network Camera

IPC3612LR3-PF28(40)-D



Key Features



Optics

Day/night functionality

Smart IR, up to 30m (98ft) IR distance

3D DNR (Digital Noise Reduction)

Compression

Ultra 265, H.265, H.264, MJPEG

ROI (Region of Interest)

Network

ONVIF Conformance

Structure

Wide temperature range: -20°C ~ 50°C (-4°F ~ 122°F)

Wide voltage range of ±25%

IP67

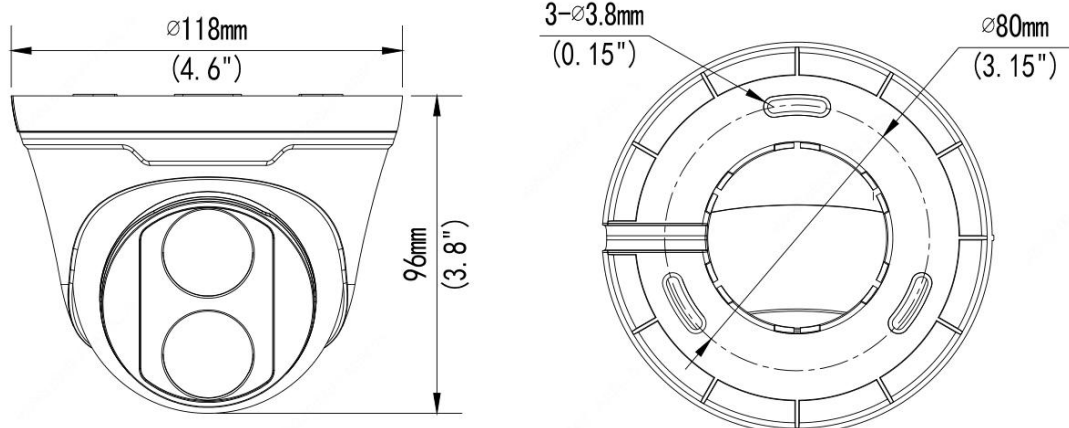
3-Axis

Specifications

	IPC3612LR3-PF28-D	IPC3612LR3-PF40-D			
Camera					
Sensor	1/2.7", 2.0 megapixel, progressive scan, CMOS				
Lens	2.8mm@F2.0		4.0mm@F2.0		
DORI Distance	Lens (mm)	Detect (m)	Observe (m)	Recognize (m)	Identify (m)
	2.8	46.7	18.7	9.3	4.7
	4.0	66.7	26.7	13.3	6.7
Angle of view (H)	112.7°		86.5°		
Angle of View (V)	60.1°		44.1°		
Angle of View (O)	146.5°		106.4°		
Shutter	Auto/Manual, 1 ~ 1/100000s				
Adjustment angle	Pan: 0° ~ 360°		Tilt: 0° ~ 80°		Rotate: 0° ~ 360°
Min. Illumination	Colour: 0.02Lux (F2.0, AGC ON) 0Lux with IR				
Day/Night	IR-cut filter with auto switch (ICR)				
S/N	>52dB				
IR Range	Up to 30m (98ft) IR range				
Wavelength	850nm				
IR On/Off Control	Auto/Manual				
Defog	Digital Defog				
WDR	Supported				
Noise Reduction	2D/3D				
Video					
Max. Resolution	1920*1080				
Video Compression	Ultra 265, H.265, H.264, MJPEG				
H.264 code profile	Baseline profile, Main Profile				
Frame Rate	Main Stream: 1080P (1920*1080), Max 30fps; Sub Stream: 720P (1280*720), Max 30fps; Third Stream: CIF (352*288), Max 30fps				
Video Bit Rate	128 Kbps~16 Mbps				
OSD	Up to 4 OSDs				
Privacy Mask	Up to 8 areas				
ROI	Up to 2 areas				
Motion Detection	Up to 4 areas				
Image					
White Balance	Auto/Outdoor/Fine Tune/Sodium Lamp/Locked/Auto2				
Digital noise reduction	2D/3D DNR				
Smart IR	Support				
Flip	Normal/Vertical/Horizontal/180°				
Dewarping	Supported				
HLC	Supported				
BLC	Supported				

Network	
Protocols	IPv4, IGMP, ICMP, ARP, TCP, UDP, DHCP, RTP, RTSP, RTCP, DNS, DDNS, NTP, FTP, UPnP, HTTP, HTTPS, SMTP, SSL, QoS
Compatible Integration	ONVIF (Profile S, Profile T),API
Client	EZStation EZView EZLive
Web Browser	Plug-in required live view: IE9+, Chrome 41 and below, Firefox 52 and below
	Plug-in free live view: Chrome 57.0+, Firefox 58.0+, Edge 16+, Safari 11+
Interface	
Network	10/100M Base-TX Ethernet
Certifications	
Certifications	CE: EN 60950-1 UL: UL60950-1 FCC: FCC Part 15
General	
Power	DC 12V±25%, PoE (IEEE 802.3af)
	Power consumption: Max 4.5W
Dimensions (∅ x H)	∅118 x 96mm (∅4.6" x 3.8")
Net Weight	0.2kg (0.44lb)
Material	Front cover: metal Rear cover: plastic Bracket: plastic Bottom plate: plastic
Working Environment	-20°C ~ 50°C (-4°F ~ 122°F), Humidity: ≤95% RH (non-condensing)
Storage Environment	-20°C ~ 50°C (-4°F ~ 122°F), Humidity: ≤95% RH (non-condensing)
Surge Protection	2KV
Ingress Protection	IP67

Dimensions



Accessories

TR-JB03-I-IN

TR-JB07/WM03-G-IN

TR-WM03-D-IN

TR-UP06-IN

TR-A01-IN



TR-SE24-IN



TR-SE24-A-IN



TR-CM24-IN



Junction Mount	Pole Mount
TR-JB03-I-IN	TR-JB07/WM03-G-IN(TR-WM03-D-IN)+TR-UP06-IN
TR-CM24-IN+TR-JB03-I-IN	

Zhejiang Uniview Technologies Co., Ltd.

Building No.10, Wanlun Science Park, Jiangling Road 88, Binjiang District, Hangzhou, Zhejiang, China (310051)

Email: overseasbusiness@uniview.com; globalsupport@uniview.com

<http://www.uniview.com>

©2019 Zhejiang Uniview Technologies Co., Ltd. All rights reserved.

*Product specifications and availability are subject to change without notice.